

GG2 Foamed Steel-Cored Grab Rail (475mm)

Features

- Extended length of grip
- Soft and resilient padded surface
- No sharp edges, for maximum safety
- Triangular section for good grip
- Steel core provides strength and rigidity
- Mounting holes concealed by 'snap-in' plugs
- Attractive, textured finish
- Suitable for applications including vehicular and railway
- Available in 3 standard colours - black, red and yellow.
Other colours available on request

Material

- Moulded in expanded polyurethane foam around solid 10 mm steel rod

Product Performance

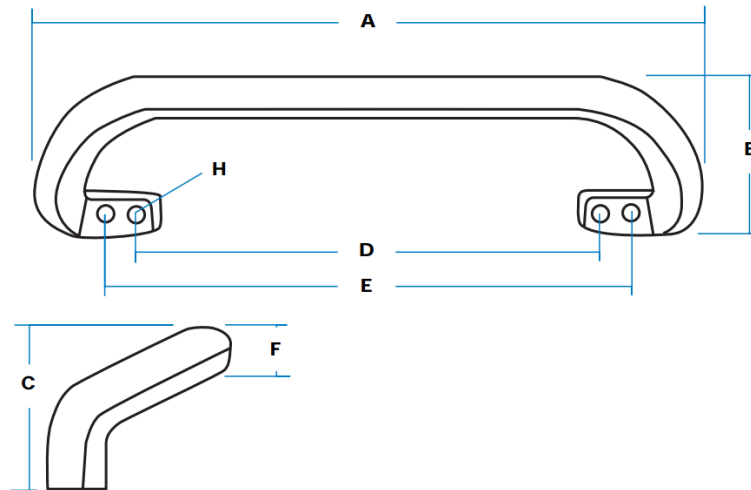
- Meets EC 95/28/CE regulation for combustibility (less than 100 mm per minute)
- Load capacity:
 - Parallel to fixing - 353 kg before distortion
 - Vertical to fixing - 352 kg before distortion
 - Ultimate strength - over 1,000 kg
 - Recommended safe working load - max. 250 kg

Notes

- Installation by bolting through four holes in steel core
- Rigid steel core means handle cannot be 'flexed' to accommodate deviations in fixing holes



GG2-G01226
(Grab Rail)



Plug diameter 15 mm accepting bolts to
12 mm head diameter x 7 mm shank
(Plug part no. G00538)

Part No.	Colour	A	B	C	D	E	F	H
GG1-G01226	Black	475	90	75	327	375	33	7
GG1-G01226-01	Red (RAL 3020)							
GG1-G01226-03	Yellow (RAL 1021)							